

# EDC-02 - Servo System

FEATURES

- **Input Voltage Range of 187-242VAC**
- **Rated Torque of 91 oz-in**
- **200 Watt Power Rating**
- **No Load Speed up to 4,500 RPM**
- **2,500 PPR Incremental Encoder**
- **Enclosed and Self-Cooled**
- **Oil Seal and Optional Brake**
- **RS232 and CAN Communication**
- **Real Time Monitoring and Management**
- **Position and Speed Control**
- **Optional Handheld Controller**

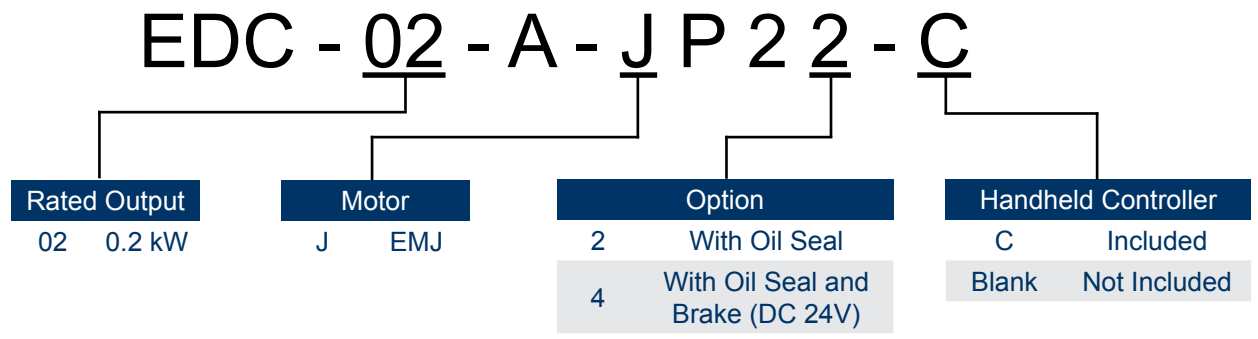


DESCRIPTION

The EDC-02 servo system includes a 200 Watt EMJ motor operated by the EDC drive. These packages are ideal for quick and easy start-ups, convenience and performance! The servo motors included in these packages provide up to 91 oz-in of rated torque. The EDC drives are designed to switch dynamically among the different control modes for convenient and flexible operation. These drives operate standard with RS232 communication and are a great fit for position control requirements. Each system includes a 5m power cable, 5m encoder cable, and a 3m communication cable.

System Specs	Rated Speed (RPM)	Rated Torque (oz-in)	Rated Current (A rms)	Inertia (oz-in-sec <sup>2</sup> )	Torque Constant K <sub>T</sub> (oz-in/A)	Resistance (ohms)	Inductance (mH)	Driver Digital Display	Brake (24VDC)	Motor Length (mm)	Shaft Diameter (mm)
EDC-02-A-JP22	3000	91	1.3	0.00269	79.9	11.0	24.7	No	No	123	14.0
EDC-02-A-JP24	3000	91	1.3	0.00326	79.9	11.0	24.7	No	Yes	163	14.0
EDC-02-A-JP22-C	3000	91	1.3	0.00269	79.9	11.0	24.7	Handheld Controller	No	123	14.0
EDC-02-A-JP24-C	3000	91	1.3	0.00326	79.9	11.0	24.7	HandHeld Controller	Yes	163	14.0

ORDERING INFORMATION



L010950

# EMJ-02 Motor Specifications

## FEATURES

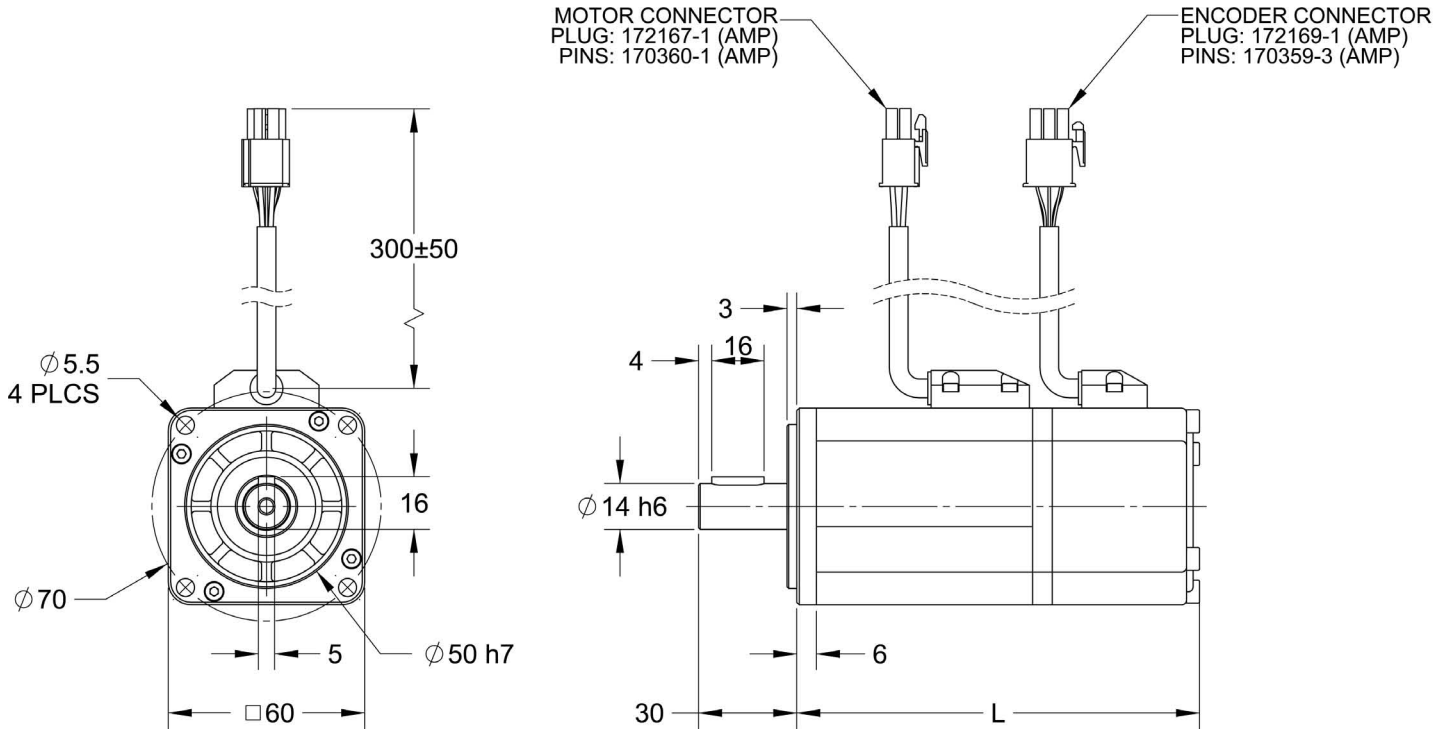
- Rated Torque of 91 oz-in
- 3-Phase, 200VAC
- Rated Power up to 200 Watts
- Peak Torque up to 300% of Rated Torque
- Peak Current up to 300% of Rated Current
- No Load Speed of up to 4,500 RPM
- 2,500 PPR Incremental Encoder Attached
- Fully Enclosed and Self-Cooled
- Neodymium-Iron-Boron Magnets (NdFeB)
- Optional Brake Available
- CE Certified



## SPECIFICATIONS

Motor Specifications	Rated Power (Watts)	Rated Speed (RPM)	Max Speed (RPM)	Rated Torque (oz-in)	Rated Current (A rms)	Max Current (A rms)	Inertia (oz-in-sec <sup>2</sup> )	Electric Time Constant T <sub>E</sub> (ms)	Back EMF Voltage K <sub>E</sub> (V/kRPM)	Torque Constant K <sub>T</sub> (oz-in/A)	Max Length L (mm)	Resistance (ohms)	Weight (lbs)
EMJ-02APA22	200	3000	4500	91	1.3	3.9	0.00269	2.391	31.91	79.9	123	11.0	4.41
EMJ-02APA24	200	3000	4500	91	1.3	3.9	0.00326	2.391	31.91	79.9	163	11.0	4.41

## DIMENSIONS



Dimensions are in mm

# EDC-02 Driver Specifications



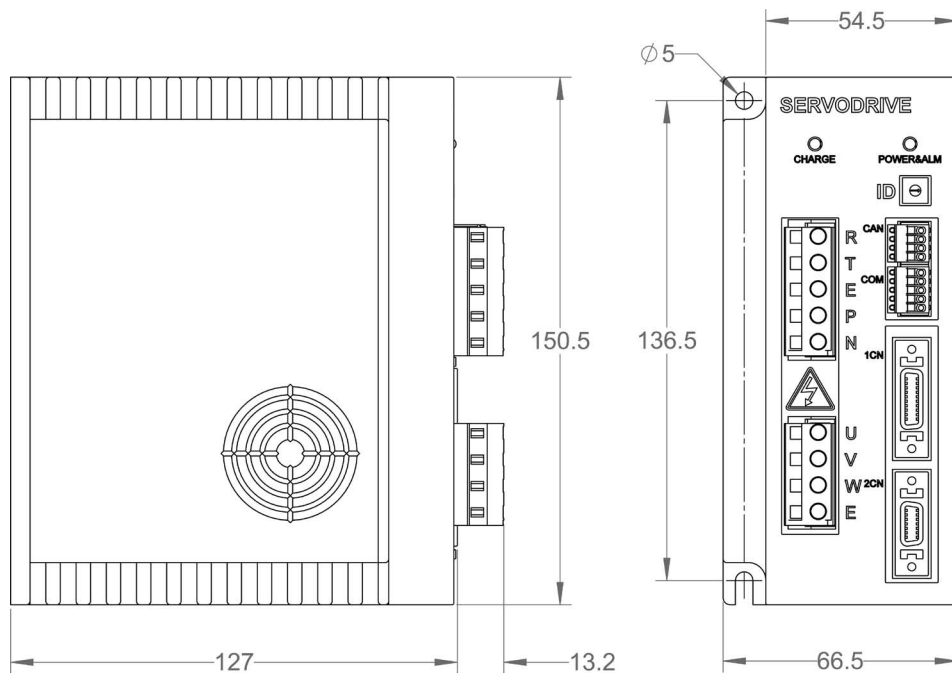
## FEATURES

- Input Voltage Range of 187-242VAC
- Rated Power up to 200 Watts
- High Overload Capacity
- RS232 Communication Interface
- ESView Communication Software
- Parameter Management
- Real Time Monitoring and Adjustment
- Position and Speed Control
- Optional Handheld Controller Available
- CE Certified



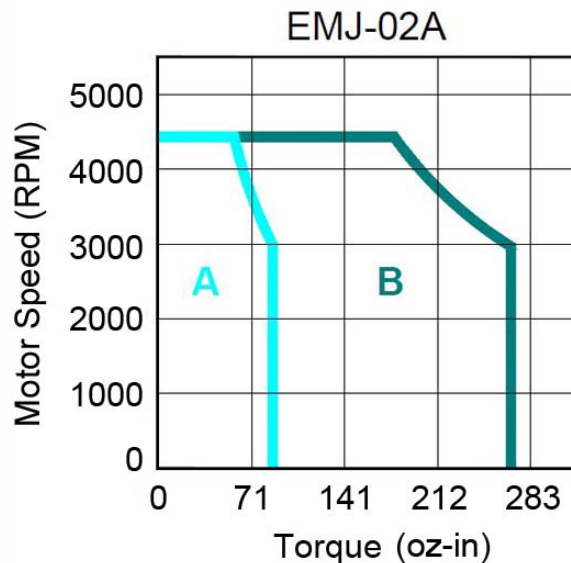
EDC-02APE

## EDC DIMENSIONS



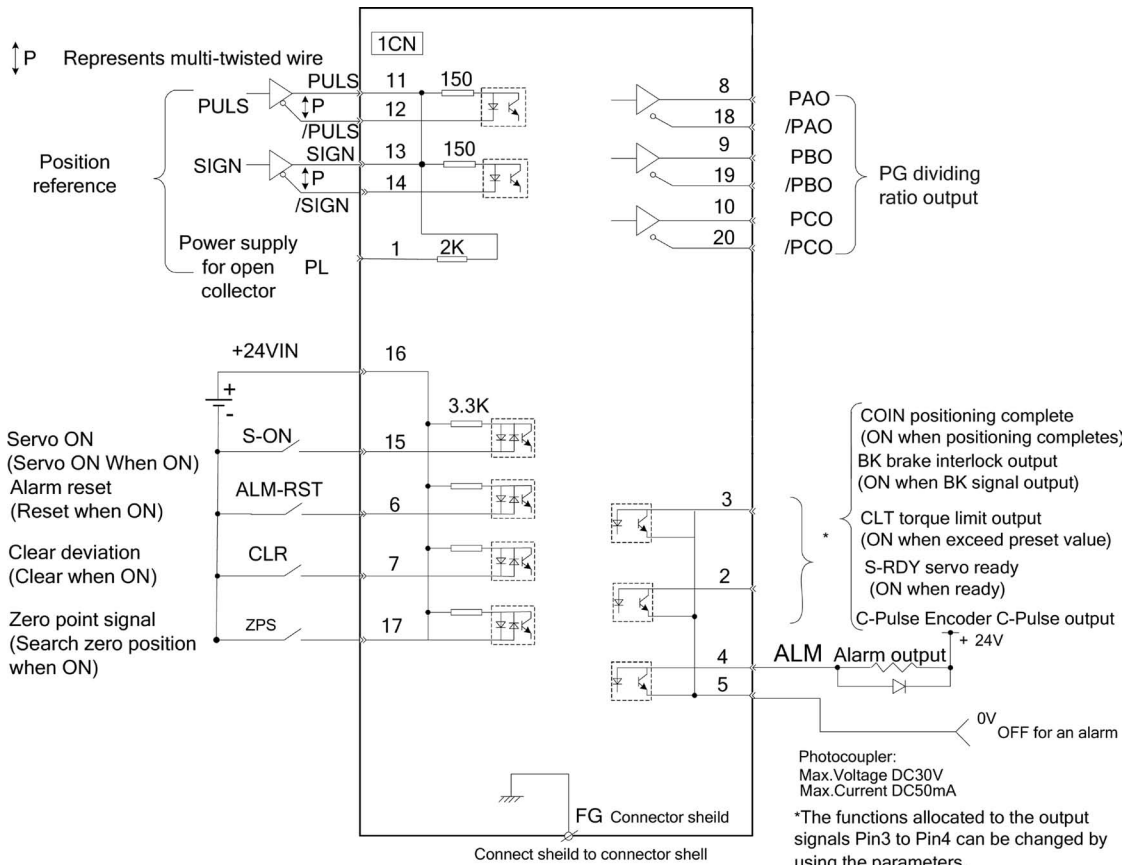
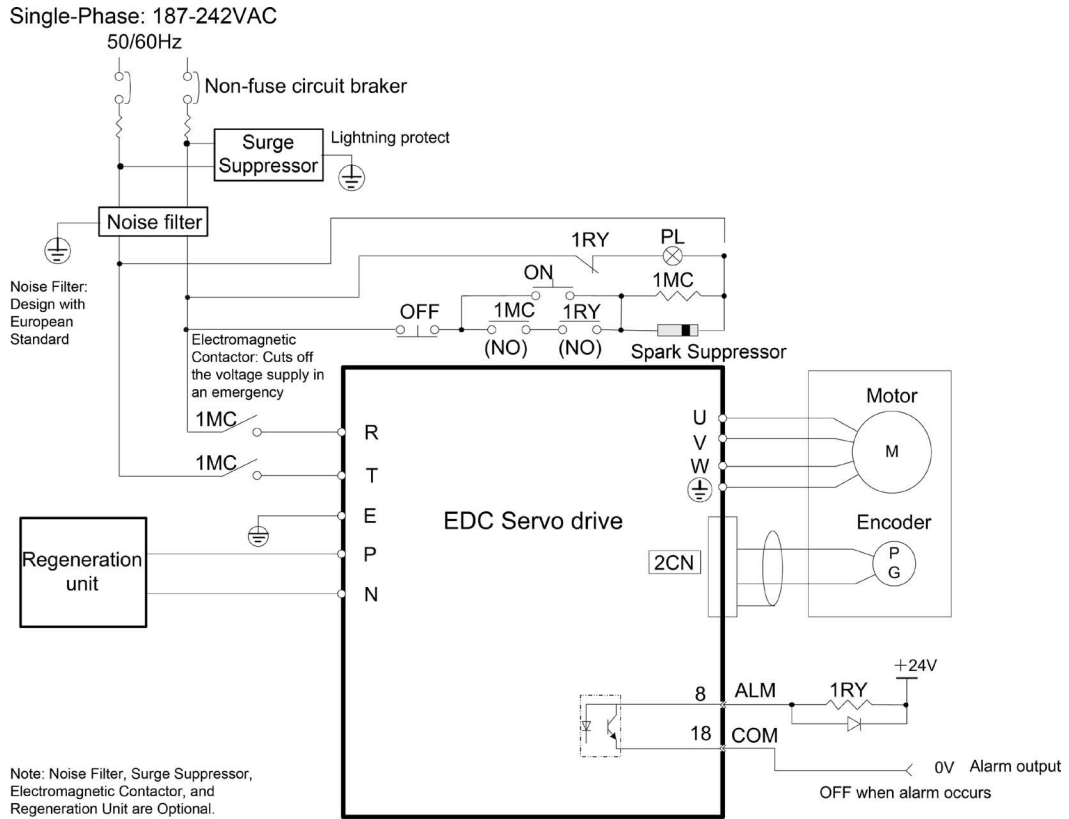
Dimensions are in mm

## TORQUE CURVE



A - Continuous Working Area

B - Repeatedly Working Area



### Compatible Drivers

Part Number	Description
EDC-02APE	200W Servo Drive



### Compatible Motors

Part Number	Description
EMJ-02APA22	Servo Motor
EMJ-02APA24	Servo Motor



### Compatible Cables

Part Number	Description
CDM-JB18-05	Power Cable
CMP-JB26-05	Encoder Cable
EDC-CSC-CC24A-02	Comm. Cable

